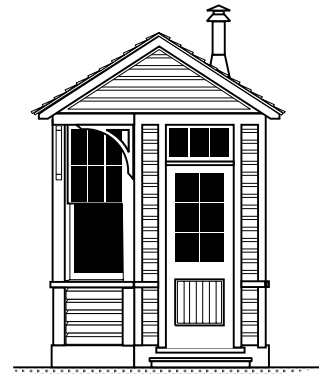


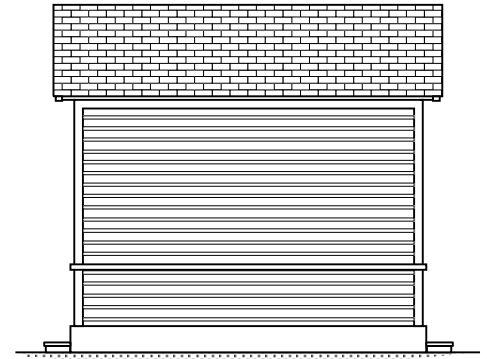
End Elevation



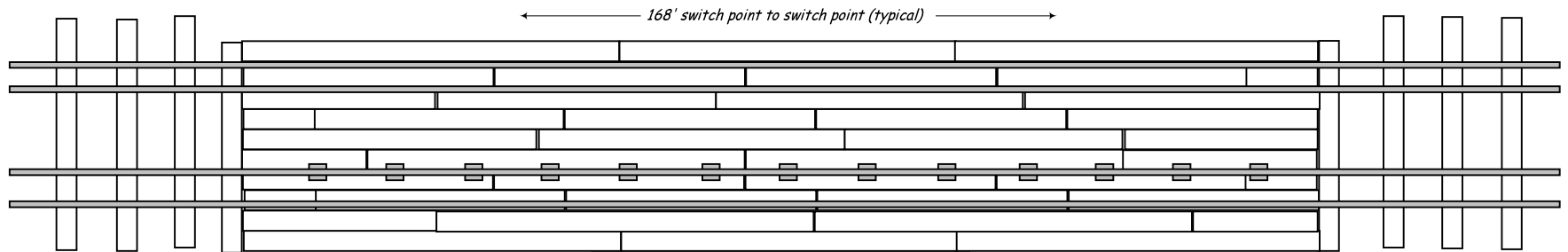
Front (Track) Elevation



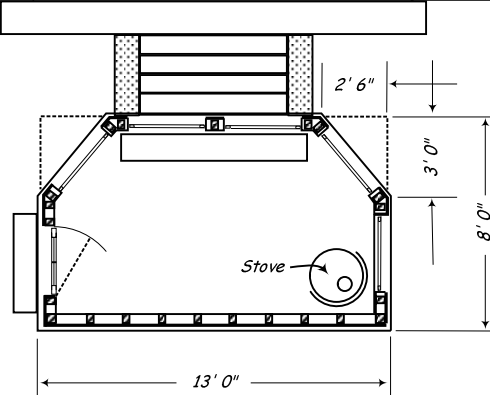
Door End Elevation



Back Elevation



0 1 2 3 4 5 6 7 8
Scale: 1:87 (HO scale)



Notes:

- All trims, outlookers, fascia boards and other outside finish, also the stiles and rails of the doors, are to be painted dark P.R.R. Standard. All panels of doors and other outside woodwork to be painted light P.R.R. Standard.
- Roof material: slate.
- Siding: Novelty



P.R.R. STANDARD
SCALE HOUSE

#58460, JUNE 1906

Redrawn from original PRR drawings by Jeff Scherb